

# VCM7000 Series

Accessory Communication Module



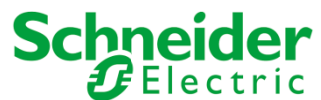
## Installation Guide

For SE7000 Series Controllers



### CONTENTS

<b>Description</b>	<b>2</b>
Models Available	2
<b>Installation</b>	<b>3</b>
Module Installation	3
<b>Specifications</b>	<b>4</b>



## DESCRIPTION

All current “Network Ready” Schneider-Electric SE7000 ( 5045 Series ) controllers purchased after July 2010 are capable of being retrofit in the field with accessory communication adapters that enables the controllers to be integrated into virtually all leading building automation system.

This approach allows the flexibility to add network communication strategies as budgets allow or as the buildings needs change.

The manufacturing date is identified inside the controller on a small label which also contains the part number. The format of the date code is year / week. If in doubt, please contact the factory for assistance. Always verify the manufacturing date code of all thermostats before ordering any communication modules.

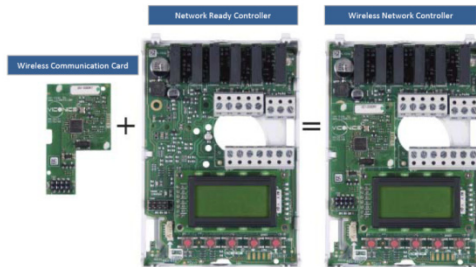
Ex.: Date code 1115 signifies that it is manufactured in 2011 on the 15<sup>th</sup> week of the year.



If required, Network Ready (Stand-Alone) Terminal Equipment Controllers can be field retrofitted with the following communication adapters.

## Models Available

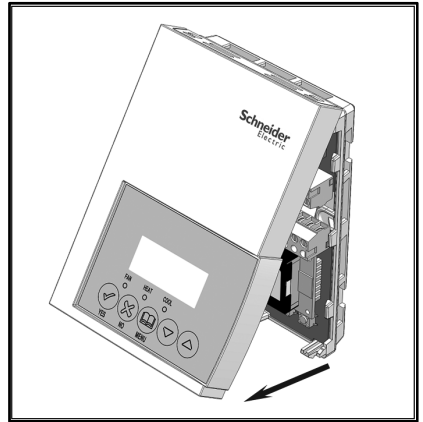
MODEL	DESCRIPTION
VCM7000V5045W	Wireless Retrofit Communication Card for all SE7000
VCM7300V5045B	BACnet® Retrofit Communication Card for all SE7200 & SE7300 Series
VCM7600V5045B	BACnet® Retrofit Communication Card for all SE7600 Series
VCM7607V5045B	BACnet® Retrofit Communication Card for all SE76x7 with RH
VCM7300V5045E	Echelon® Retrofit Communication Card for all SE7200 & SE7300 Series
VCM7600V5045E	Echelon® Retrofit Communication Card for all SE7600 Series
VCM7607V5045E	Echelon® Retrofit Communication Card for all SE76x7 with RH



## INSTALLATION

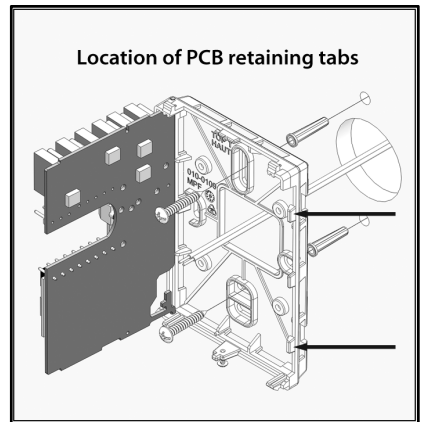
Remove the security screw on the bottom of Terminal Equipment Controller cover.

- Open unit by removing the security screw and pulling on the bottom side of Terminal Equipment Controller (fig. 1).
- Remove power to the unit by disconnecting to top left terminal block.
- Ensure power is down by confirming the local display is not operating.



### Module Installation

1. Align module connector and the 2 retaining pins on their respective insertion points of the controller base.
2. Insert connector and the 2 retaining pins all at once by pressing on the 3 location simultaneously. (fig. 2).
3. Make sure retaining pins are properly snapped in place.
4. A misalignment of the module connector while the controller is powered may permanently damage the Terminal Equipment Controller or the communication module.
5. Power back the unit by reconnecting the top left terminal block.
6. Re-install the cover (top side first)
7. Re-install security screw





- Electronic controls are static sensitive devices. Discharge yourself properly before manipulating and installing the Terminal Equipment Controller.
- A misalignment of the module connector while the controller is powered may permanently damage the Terminal Equipment Controller or the communication module.
- All SE 7000 series controls are designed for use as operating controls only and are not safety devices. These instruments have undergone rigorous tests and verification prior to shipping to ensure proper and reliable operation in the field. Whenever a control failure could lead to personal injury and/or loss of property, it becomes the responsibility of the user / installer / electrical system designer to incorporate safety devices ( such as relays, flow switch, thermal protections, etc...) and/or an alarm system to protect the entire system against such catastrophic failures. Tampering with the devices or unintended application of the devices will result in a void of warranty.

## SPECIFICATIONS

<b>Operating conditions:</b> .....	0 °C to 50 °C ( 32 °F to 122 °F ) 0% to 95% R.H. non-condensing
<b>Storage conditions:</b> .....	-30 °C to 50 °C ( -22 °F to 122 °F ) 0% to 95% R.H. non-condensing
<b>Approximate shipping weight:</b> .....	0.75 lb ( 0.34 kg )
<b>Agency Approvals all models:</b> .....	<b>UL:</b> UL 873 (US) and CSA C22.2 No. 24 (Canada), File E27734 with CCN XAPX (US) and XAPX7 (Canada) <b>Industry Canada:</b> ICES-003 (Canada)
<b>Agency Approvals all models:</b> .....	<b>FCC:</b> Compliant to CFR 47, Part 15, Subpart B (US) <b>CE :</b> EMC Directive 89/336/EEC (Europe Union) <b>C-Tick:</b> AS/NZS CISPR 22 Compliant (Australia / New Zealand) Supplier Code Number N10696
<b>Agency Approvals Wireless models:</b> .....	<b>FCC:</b> Compliant to: Part 15, Subpart C

© 2011 Schneider Electric. All rights reserved.